



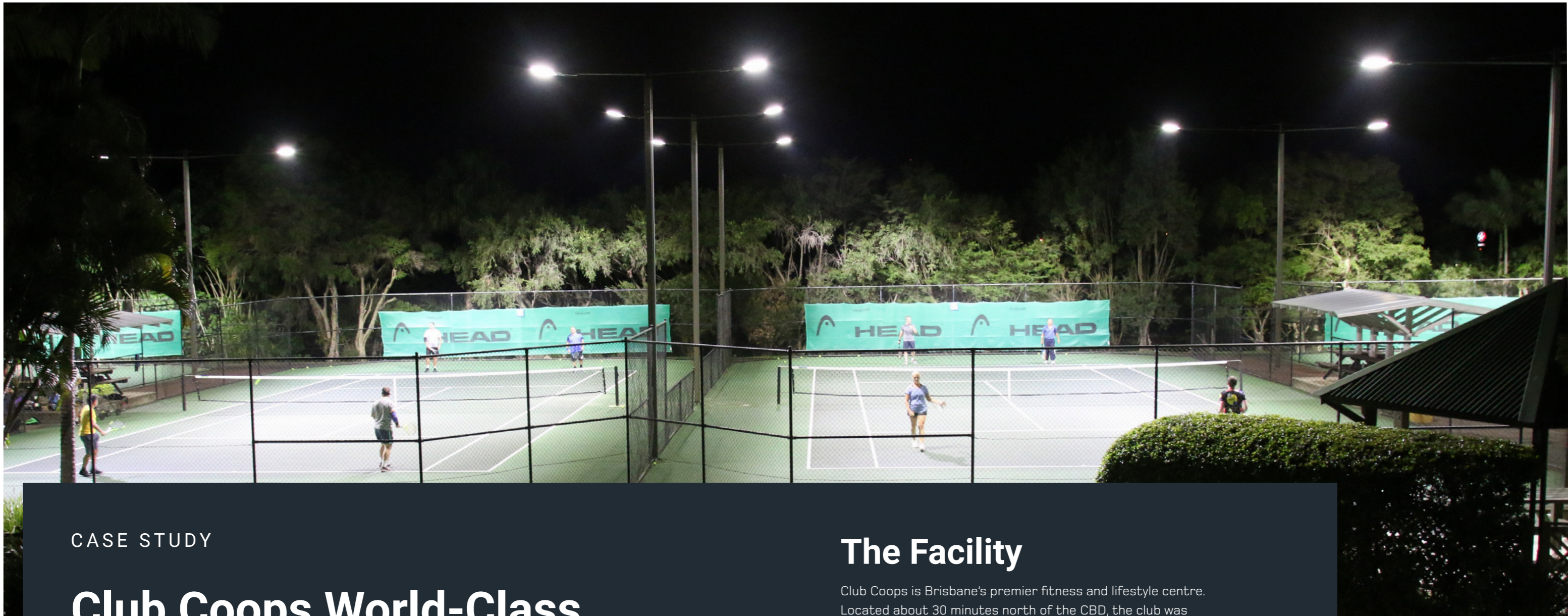
**Advanced**  
LIGHTING TECHNOLOGIES

# [ GAME, SET & MATCH ]

CASE STUDY

CLUB COOPS TENNIS CENTRE  
LIGHTING UPGRADE





CASE STUDY

# Club Coops World-Class Lighting Upgrade

A world-class facility deserves a world-class lighting solution, and that's exactly what Club Coops were after when they engaged Advanced Lighting Technologies to provide a lighting upgrade on all 12 of their international-standard outdoor tennis courts.

## The Facility

Club Coops is Brisbane's premier fitness and lifestyle centre. Located about 30 minutes north of the CBD, the club was established in 1979 by former Wimbledon champion Ashley J Cooper and his brother Terry, a successful businessman and entrepreneur in his own right.

The original vision for Club Coops was to create Queensland's premier racquet sports destination, however a lot can change in 40 years, and now, in addition to tennis and squash courts, the club now boasts two fully-equipped gymnasiums, an outdoor swimming pool, fitness studios, a dedicated child minding centre, pro-shop, café and more.



BEFORE UPGRADE

“

Still owned and operated by the Cooper family to this day, CEO Ben Cooper (son of Terry) explains the club's philosophy:

We strive to provide our members with the best possible environment to reach their fitness goals. That includes making sure they have access to professional advice and the latest equipment and technology

# Requirements & Challenges

Club Coops proudly hosts Brisbane's largest community of adult tennis players, who take to the centre's 12 courts day and night. The club's philosophy to provide the best available equipment and facilities goes beyond just treadmills and tennis racquets. The courts share the same surface as those used at the Australian Open, but until recently were lit using outdated metal-halide luminaires.

The shoebox-style HID fittings, long a staple on Australian tennis courts, were coming to the end of their useful life. An increase in outages, and a decrease in light levels combined with regular servicing and lamp and ballast replacement meant the escalating maintenance costs could no longer be justified.

Rising energy costs also played a factor - HID fittings consume far more power than modern lighting systems, and with up to 12 courts to illuminate each night, the electricity bill quickly adds up! Metal Halide fittings can also take quite a while to reach their maximum light output when first switched on, and even longer if quickly turned off and on again. Modern LED lighting solutions offer no such restrictions, providing full light output immediately, and can be freely switched on and off without consequence.

An upgrade was required, and Club Coops began searching for a modern lighting solution that would ensure they remain one of Australia's premier tennis facilities for years to come.

## Project Requirements

Utilise the **existing light poles** including colour matching

Achieve recommendations listed in **Australian Standard 2560.2.1 – 2003** for light levels, glare, obtrusive light and safety

Meet Queensland Tennis suggested **guidelines for external court lighting**

Improve overall **experience and atmosphere** for Club Coops' members



# Solution

By now, the benefits LED technology has over its predecessors (including HID) are well known - LED luminaires use less energy, are designed to last longer, require almost zero maintenance and offer advanced spill-light control. But not all LED fittings are created equal - the **Cree OSQ High Output Series** is a premium, specification-grade luminaire that has changed the standard of high output illumination. In fact, just one can replace multiple metal halide fittings.

Global leaders Cree Lighting have been at the forefront of LED innovation since its commercial inception, which is evident in the OSQ High Output (HO) Series.

With an industry-leading 10-year warranty, advanced optical control and true-to-life colour rendering, this remarkable luminaire generates up to 70,000 lumens in a slim, low-profile design, perfect for sporting applications like tennis.

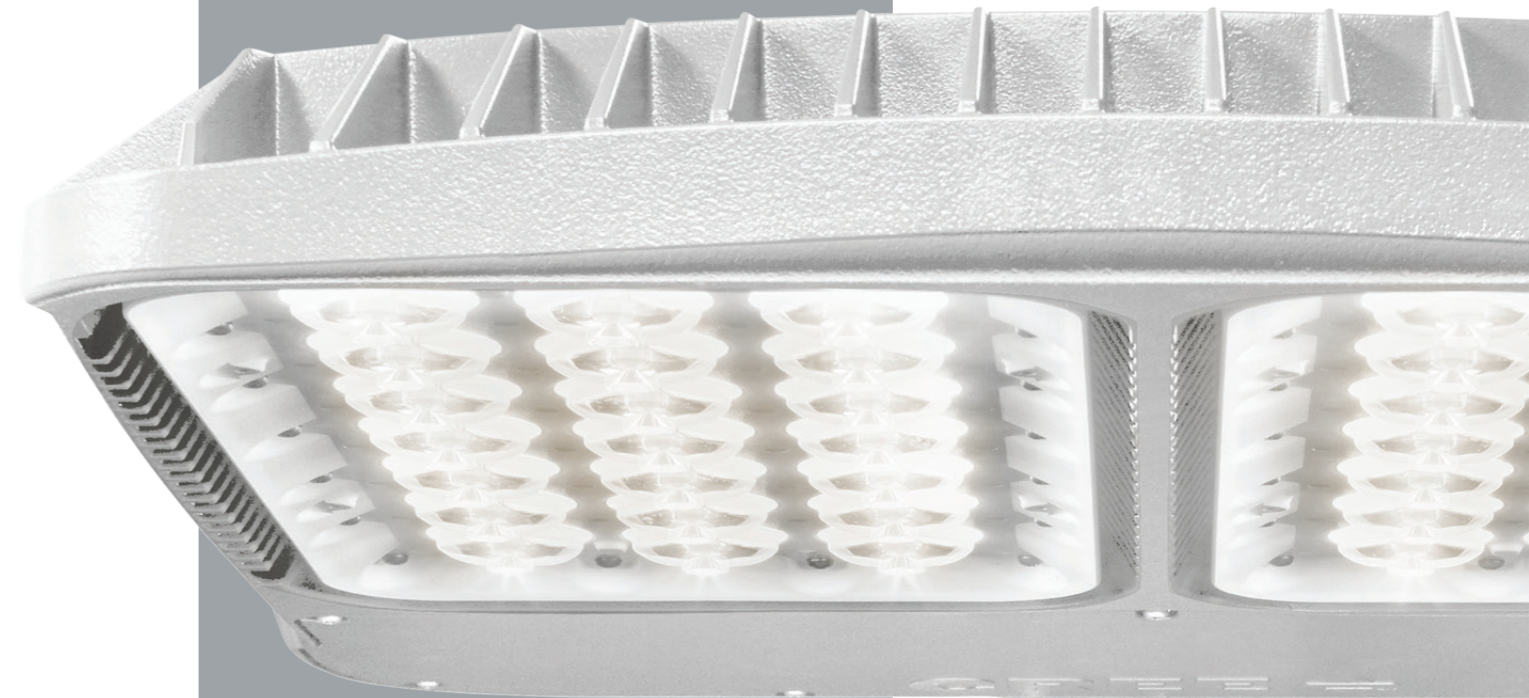
Even when compared against more widely-used LED options, Advanced Lighting Technologies' solution gained the advantage thanks to its extended warranty, better design efficiency and quality construction. Our local Queensland presence and ongoing support during and after the project also played a role in selecting a winner.

“ The Cree OSQ High Output Series allowed us to offer one-for-one replacement of the old HID fittings while meeting the recommendations in the Australian Standard. The new fittings even matched the colour of the existing poles, allowing for a seamless integration

**CREE** LIGHTING

A COMPANY OF **IDEAL INDUSTRIES, INC.**

Advanced Lighting Technologies (ADLT) is the **sole authorised distributor** of Cree lighting products in Australia.



## Cree OSQ High Output Series

Up to 70,000 lumens

Advanced optical control

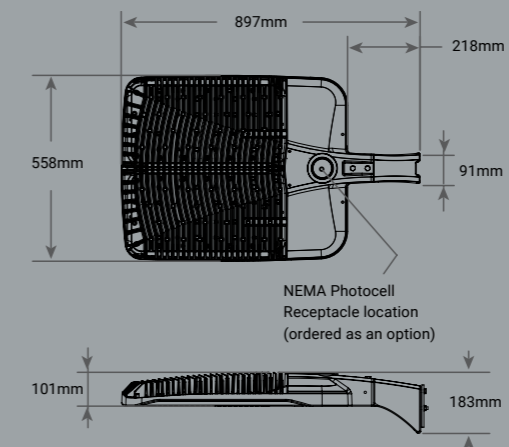
Excellent colour rendering

Slim, low-profile design

Perfect for sporting applications

Visit [adlt.com.au](http://adlt.com.au) for additional technical information.

## Dimensions



## Colours



Advanced Lighting Technologies' Technical Sales Representative **Gerard Bowtell-Harris** worked closely on the project and explains why Club Coops selected our solution rather than our competitors:

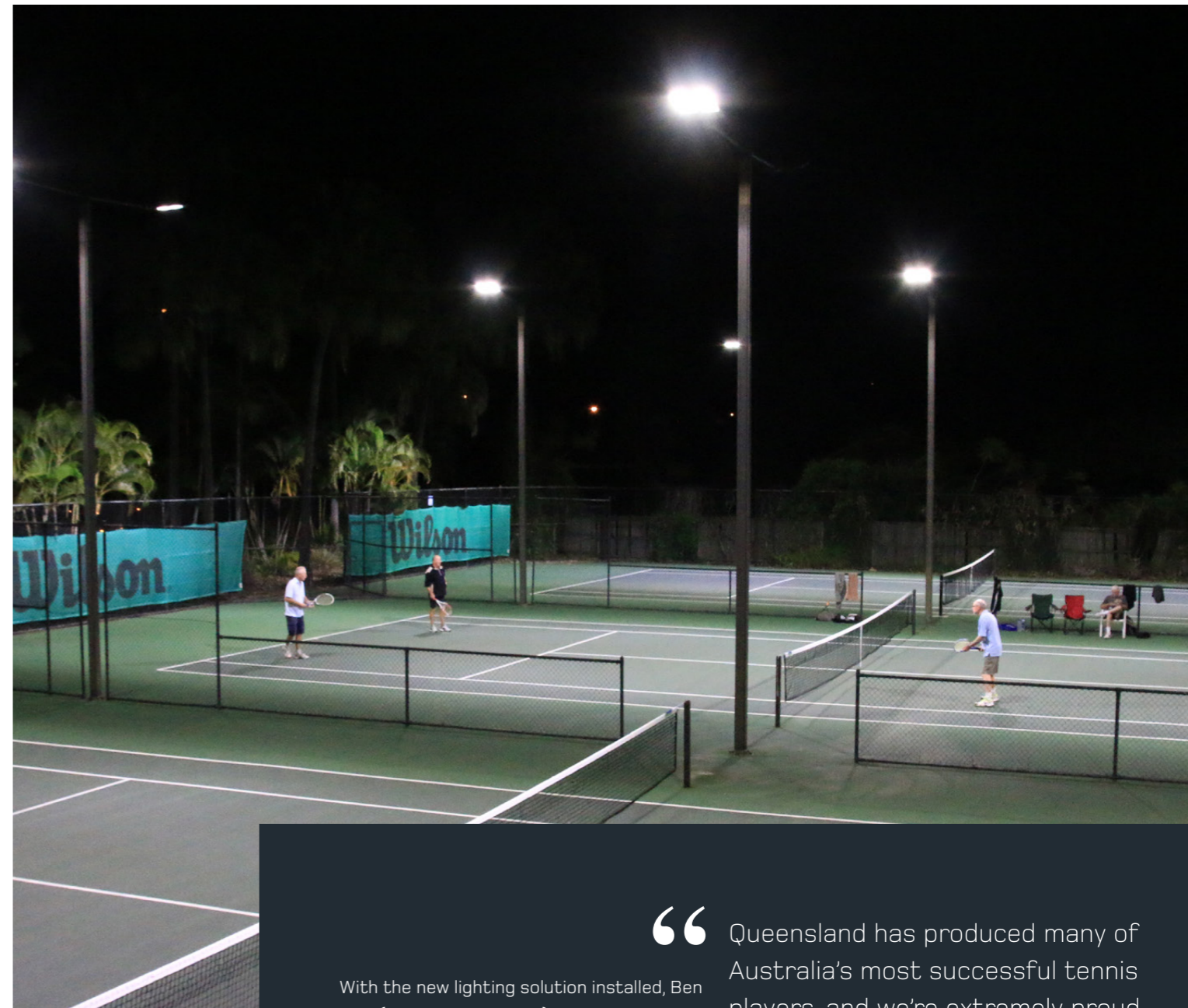


## Results

The project was completed in early 2019, with Advanced Lighting Technologies' energy-efficient LED lighting solution installed across all 12 courts. Bronze in colour, the fittings were mounted on new single arms (or counter-levered cross arms where back-to-back fittings were required) attached to existing poles. Both the luminaires and mounts have been treated with Cree's exclusive DeltaGuard finish, providing excellent resistance to corrosion, ultraviolet degradation and abrasion.

The improvement in light levels and increase in uniformity means every ground stroke, ace, volley and smash is now more visible than ever before, and club members have been quick to praise the new lighting solution.

The outstanding optical technology found in ADLT's solution means light is delivered exactly where it is wanted, and not intruding on neighbouring properties. The OSQ High Output Series has an expected 100,000 hour lifetime, backed by a limited 10-year manufacturer's warranty.



With the new lighting solution installed, Ben Cooper (CEO of Club Coops) is optimistic when discussing the club's role in the future of Queensland tennis:

“ Queensland has produced many of Australia's most successful tennis players, and we're extremely proud to offer world-class facilities right here in Carseldene. Who knows? We might just be lighting up the next Australian champion!



Advanced Lighting Technologies are specialists in architectural, commercial and industrial lighting. **Whatever the application, whatever the budget – we'll have a solution that fits your needs.**



**Advanced Lighting Technologies  
Australia Inc**

110 Lewis Road  
Wantirna South, Victoria  
AUSTRALIA 3152

T: +61 3 9800 5600  
F: +61 3 9800 5533

E: [sales@adlt.com.au](mailto:sales@adlt.com.au)

[www.adlt.com.au](http://www.adlt.com.au)

**Advanced Lighting Technologies  
New Zealand Ltd**

8 Boeing Place  
Mount Maunganui  
NEW ZEALAND

T: +64 7 579 0163  
F: +64 7 579 0164

E: [light@adlt.co.nz](mailto:light@adlt.co.nz)

[www.adlt.co.nz](http://www.adlt.co.nz)

**Advanced Lighting Technologies  
Asia Pte Ltd**

Block 4008, Ang Mo Kio Avenue 10  
#04-06, Techplace I  
SINGAPORE 569625

T: +65 6844 2338  
F: +65 6844 2339

E: [sales@adlt.com.sg](mailto:sales@adlt.com.sg)

[www.adlt.com.sg](http://www.adlt.com.sg)