



Advanced
LIGHTING TECHNOLOGIES



Tennis Court

LIGHTING GUIDE

The tennis court lighting specialists

An Advanced Solution

For either residential or club use, installing or upgrading to an LED lighting solution from Advanced Lighting Technologies can provide a number of benefits compared to traditional lighting, including:

- Lower energy consumption
- Greater optical control
- Near-zero maintenance
- Improved uniformity
- Instant light (no warm-up or re-strike time)
- Longer lifetime

For those on a budget, we're please to offer the new Venture Lighting Advantage LED Flood Light that provides energy-efficient lighting at an economical price.

For those not yet in a position to upgrade to LED, we still offer a wide range of HID lamps compatible with many existing tennis court lighting systems. Ask our sales team to find out more!

Whether you're replacing existing lighting and poles, or designing a complete tailored solution from scratch, Advanced Lighting Technologies can help.

Advanced Lighting Technologies (ADLT) has been a leader in the lighting market for over 25 years. With an established presence in Australia, New Zealand and Southeast Asia, we specialise in providing LED lighting solutions for a wide-range of applications and industries.

We've been proudly supplying tennis court lighting solutions to clubs, schools and homeowners across Australia for years.



Design excellence

Successful tennis court lighting begins with good design. These are the main factors to be considered in the design process:

Quantity of light

The quantity of light is expressed as an average lux level and is usually determined by the level of tennis to be played. General guidelines recommend lower levels for social play, medium levels for club standard and high levels for international professional grade.

Australian and New Zealand standards recommend the following average maintained lux levels for each level of play.

250
LUX

Social Play

350
LUX

Club & Competition

1000
LUX

International

Quality of light

The quality of light is evaluated by the degree of light uniformity and lack of glare. Optimum uniformity is achieved by using light fittings that provide the correct light distribution and that are positioned appropriately around the perimeter of the court. Glare is kept to a minimum by utilising light fittings with precise cut-off distribution.

For optimum design, a luminaire has to offer more than reliability, performance and value. It must also become part of its surroundings, deliver minimal environmental impact and be energy efficient.

Advanced Lighting Technologies can provide a complete tennis court lighting solution, including design, poles, fittings and installation. Our experienced staff includes qualified lighting designers and industry experts that can guide you through the process from start to finish.

See pages 12 & 13 for examples of typical tennis court lighting diagrams that comply with the recommended Australian standard.



Planning Permission

Many local councils have stringent requirements to reduce obtrusive and unwanted light pollution from sports lighting. You may also need permission to erect light poles on your property. A phone call to the council before you start may save you from a lot of headaches!



TURN ANY COURT
INTO CENTRE COURT

VENTURE LIGHTING

Advantage Flood Light

Reap the benefits of energy-efficient LED lighting at an economical price with the Venture Lighting Advantage!

Suitable for both retrofit and new construction

Optional backlight shield available for even greater spill light control

Multiple mounting options (sold separately)

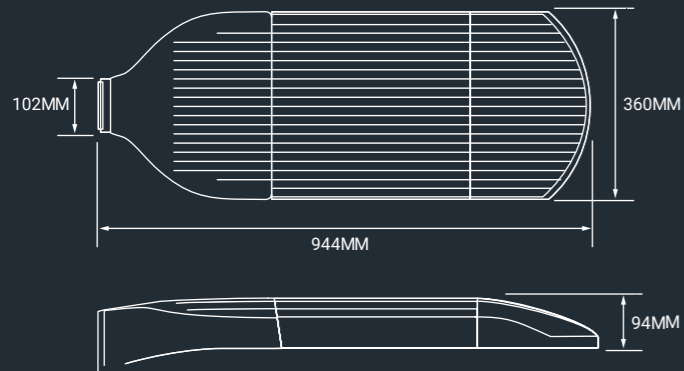
5-year limited warranty

Wide range of mounting options available

WATTAGE

480W

COLOURS

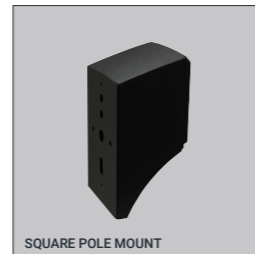


ADVANTAGE
LED FLOOD LIGHT

With over 40 year's experience, Venture Lighting is a global leader in pioneering light source technology. The new Venture Lighting Advantage combines a modern low-profile aesthetic with purpose-built tennis court optics, designed to cover every inch of the court.

The Advantage is suitable for both residential and club use, and features rugged die-cast housing and a durable powder-coated finish to withstand Australia's harsh climate.

MOUNTING OPTIONS (SOLD SEPARATELY)



SQUARE POLE MOUNT



ROUND POLE MOUNT



SLIP FITTER MOUNT



HORIZONTAL TENON (MAST ARM) MOUNT (NON STOCKED INDENT ITEM)

**Championship
Performance**

AT AN ECONOMICAL PRICE

CREE LIGHTING

OSQ High Output Series

Turn night into day with game-changing, high-output lighting from one of the world's leading LED innovators.

The Cree OSQ High Output LED Flood Light provides outstanding court-wide illumination, directed only where it's needed thanks to optical technology. Featuring a modern, low-profile silhouette that blends seamlessly into its environment, just one OSQ can replace several metal halide fittings. It's a true game changer in high-output illumination.



Available in both black & silver finish

Simple installation & near-zero maintenance

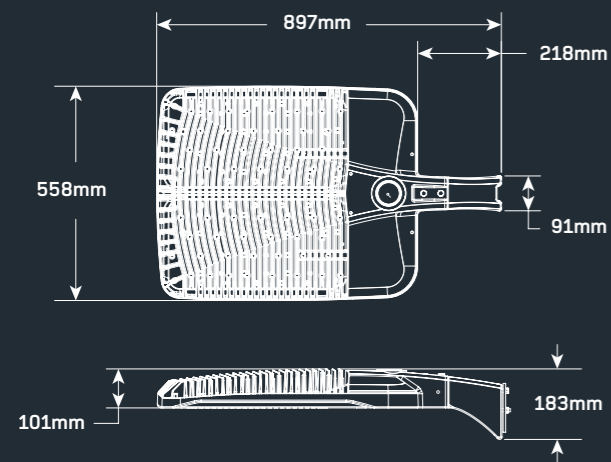
Backlight shield available for even greater spill-light control

10-year limited warranty

WATTAGE

531W

COLOURS





With a striking, low-profile design and advanced in-built thermal management, the Cree Edge High output LED floodlight is a highly-reliable fitting that requires almost zero maintenance. Producing a vivid white-light that renders colours as they are meant to be seen, this revolutionary fitting has helped redefine high-output illumination as we know it.

CREE LIGHTING

EDGE High Output Series

Advanced optical technology delivering unprecedented colour quality, efficiency and performance like no other.

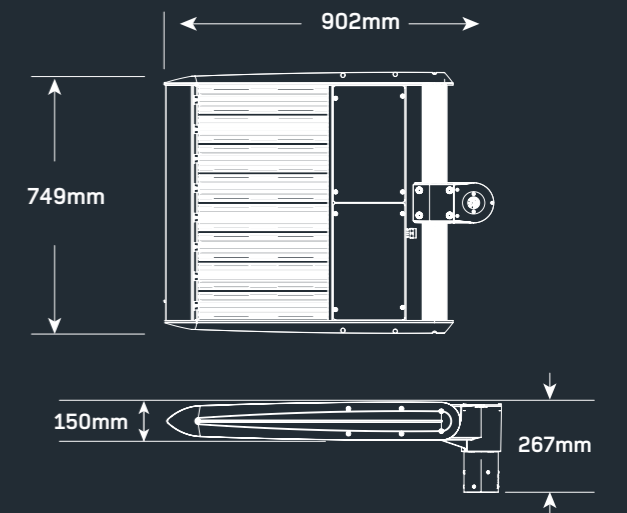


- Available in both black & silver finish
- Industry-leading colour rendering
- Low-profile design to minimise wind load
- 10-year limited warranty

WATTAGE

831W

COLOURS



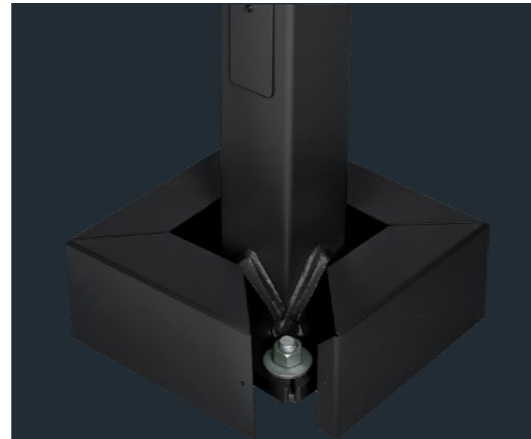
CREE LIGHTING

Steel Light Poles & Accessories

Sourcing both your luminaires and poles from Advanced Lighting Technologies means you'll only deal with one supplier for your lighting requirements.

We offer a range of standard and premium light poles in various shapes and heights, ideal for residential and club tennis lighting. Our poles are available with a series of cross-arms and brackets for the ultimate in mounting flexibility.

We also offer a range of foundation cages, designed to provide maximum strength in challenging Australian conditions, such as tough winds or soft soil.



PREMIUM SQUARE STEEL LIGHT POLES WITH CROWN-WELD BASE AVAILABLE UPON REQUEST



OCTAGONAL STEEL POLE



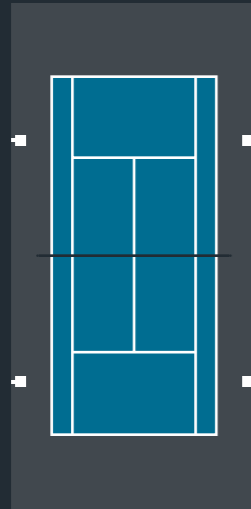
MOUNTING ACCESSORIES



Court lighting design

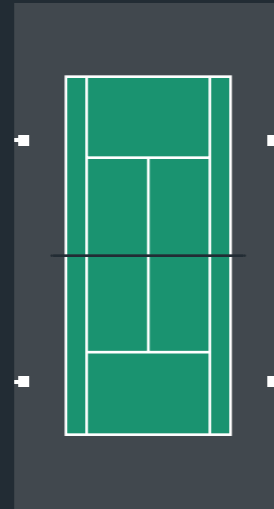
TYPICAL LIGHTING LAYOUTS

The following diagrams are typical court lighting layouts that achieve the light levels (known as 'lux') required to comply with the recommended Australian standards (250 lux for social play and 350 lux for club & competition). Please contact us to discuss your lighting needs if you have a different court configuration.



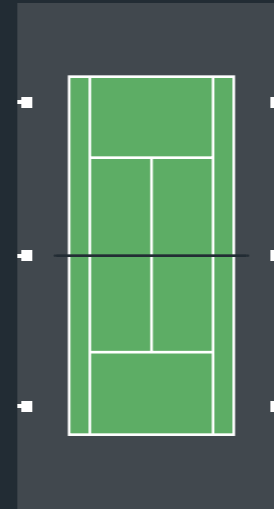
SINGLE RECREATIONAL

6.1M POLES



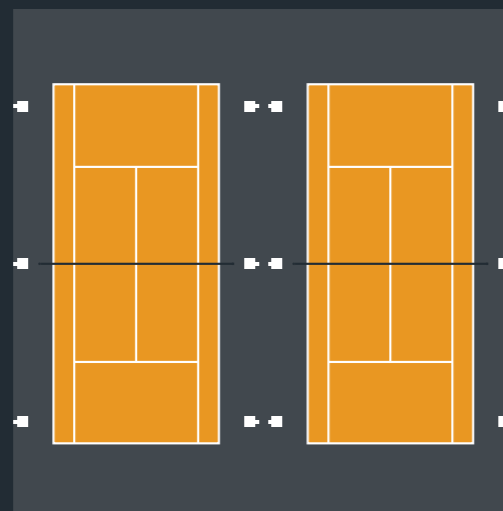
SINGLE CLUB
STANDARD

6.1M POLES



SINGLE CLUB
PREMIUM

6.1M POLES



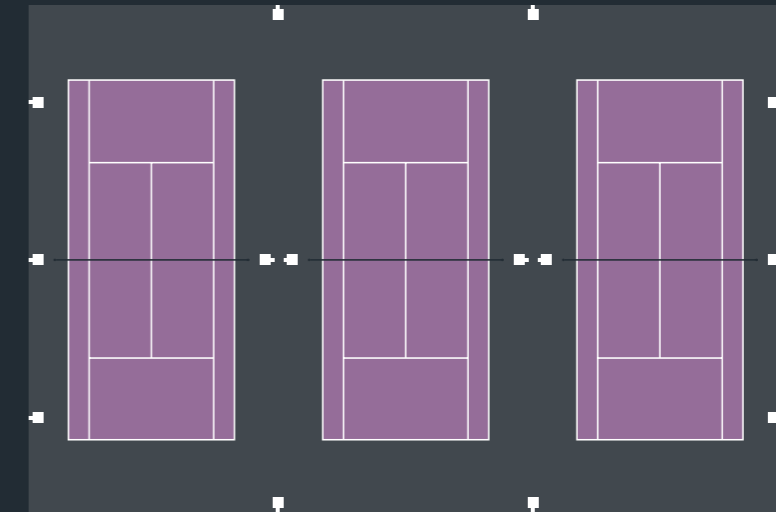
DOUBLE CLUB

7.6M POLES

AUSTRALIAN STANDARDS RECOMMENDED
AVERAGE MINIMUM LIGHT LEVELS:
CLUB 350 LUX
RECREATIONAL 250 LUX

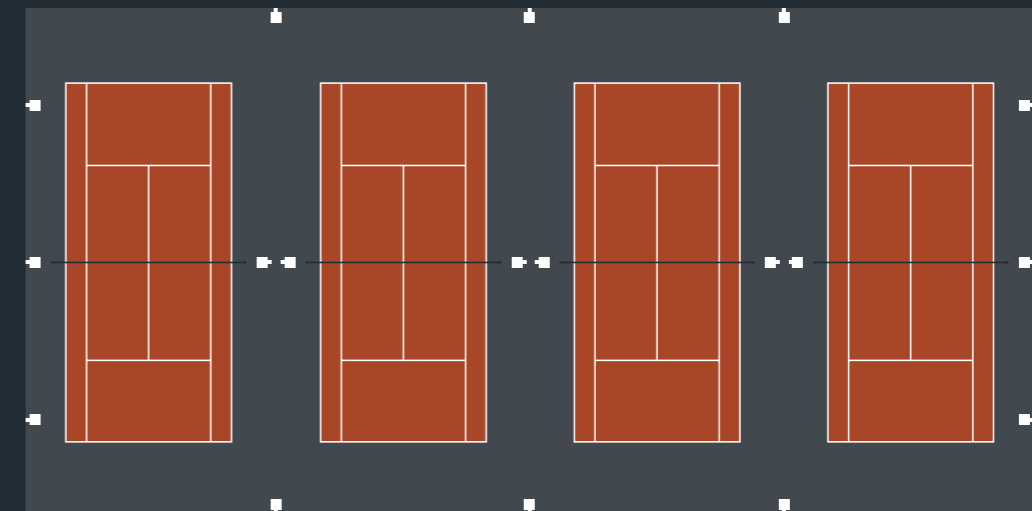
ONE POLE / TWO FITTINGS

ONEPOLE/ONEFITTING



TRIPLE CLUB

7.6M POLES



QUAD CLUB

7.6M POLES

ONE POLE / TWO FITTINGS

ONEPOLE/ONEFITTING



Advanced
LIGHTING TECHNOLOGIES

Advanced Lighting Technologies

Striving to revolutionise the lighting industry by delivering high-quality, sustainable LED lighting that is affordable and available to all. We're dedicated to developing new LED lighting solutions that improve our clients' infrastructure and reduce energy costs.

adlt.com.au

For more information on our
tennis lighting solutions

03 9800 5600

adlttennis.com.au

Australia

Asia Pacific Head Office

110 Lewis Road
Wantirna South VIC 3152

T +61 3 9800 5600
F +61 3 9800 5533

sales@adlt.com.au
adlt.com.au

Australia Wide Coverage

VIC / TAS
SA / NT
NSW / ACT
QLD
WA

Asia Pacific

New Zealand NZ Head Office

8 Boeing Place
Mount Maunganui
NEW ZEALAND

T +64 7 579 0163
F +64 7 579 0164

light@adlt.co.nz
adlt.co.nz

Asia Singapore

Block 4008, Ang Mo Kio
Avenue 10
#04-06, Techplace I
SINGAPORE 569625

T +65 6844 2338
F +65 6844 2339

sales@adlt.com.sg
adlt.com.sg

